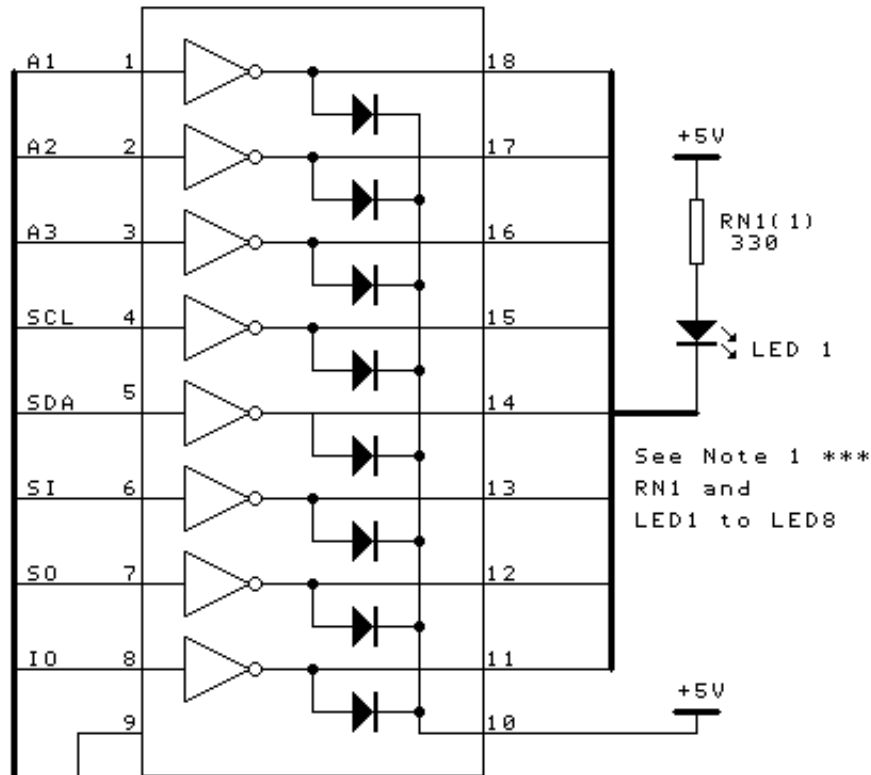


SimmStick(tm) Bus

- 1 A1
- 2 A2
- 3 A3
- 4 PUR
- 5 CI
- 6 CO
- 7 +5V
- 8 RES
- 9 GND
- 10 SCL
- 11 SDA
- 12 SI
- 13 SO
- 14 IO
- 15 D0
- 16 D1
- 17 D2
- 18 D3
- 19 D4
- 20 D5
- 21 D6
- 22 D7
- 23 D8
- 24 D9
- 25 D10
- 26 D11
- 27 D12
- 28 D13
- 29 D14
- 30 D15

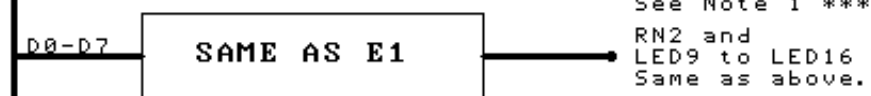
**E1 ULN2803**



See Note 1 \*\*\*  
RN1 and  
LED1 to LED8

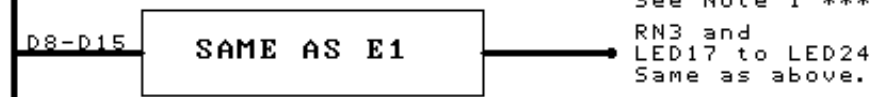
**NOTE 1 \*\*\***  
This LED cct 8 times  
One for each output  
of the ULN2803

**E2 ULN2803**



See Note 1 \*\*\*  
RN2 and  
LED9 to LED16  
Same as above.

**E3 ULN2803**

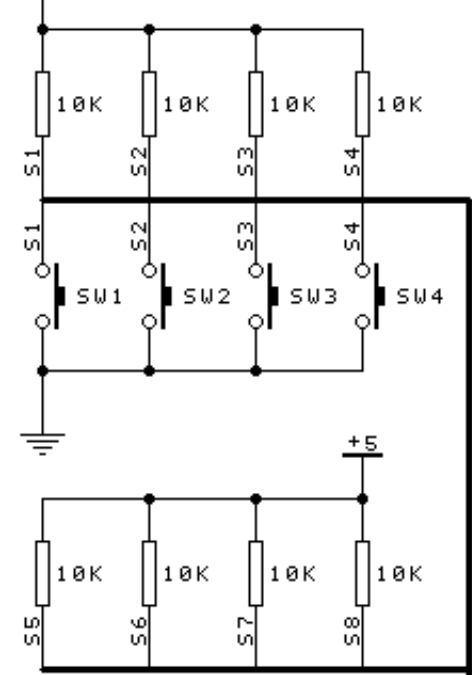


See Note 1 \*\*\*  
RN3 and  
LED17 to LED24  
Same as above.

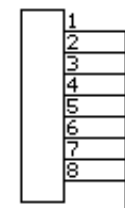
Signals Available

- A1
- A2
- A3
- SCL
- SDA
- SI
- SO
- IO
- D0
- D1
- D2
- D3
- D4
- D5
- D6
- D7
- D8
- D9
- D10
- D11
- D12
- D13
- D14
- D15

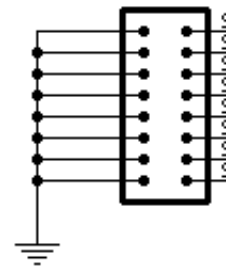
+5 RN4 (8 by 10K Res)



Switch Outputs



Link block for 1-8



DonTronics 1999(c)

Title <b>DT203 LED's &amp; Switches</b>		
Size	Number	Revision
A4	For SimmStick(tm) Bus	B
Date: 23-MAR 1999		Sheet of
File: DT203B/1		Drawn By: Don Mck