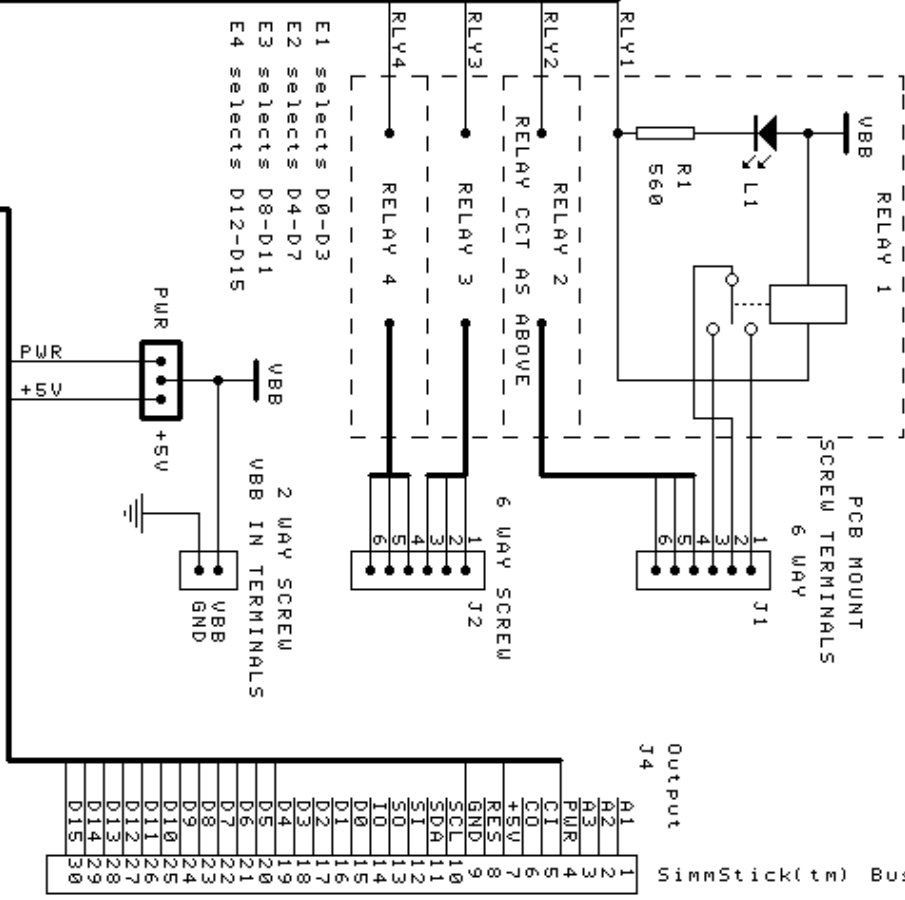
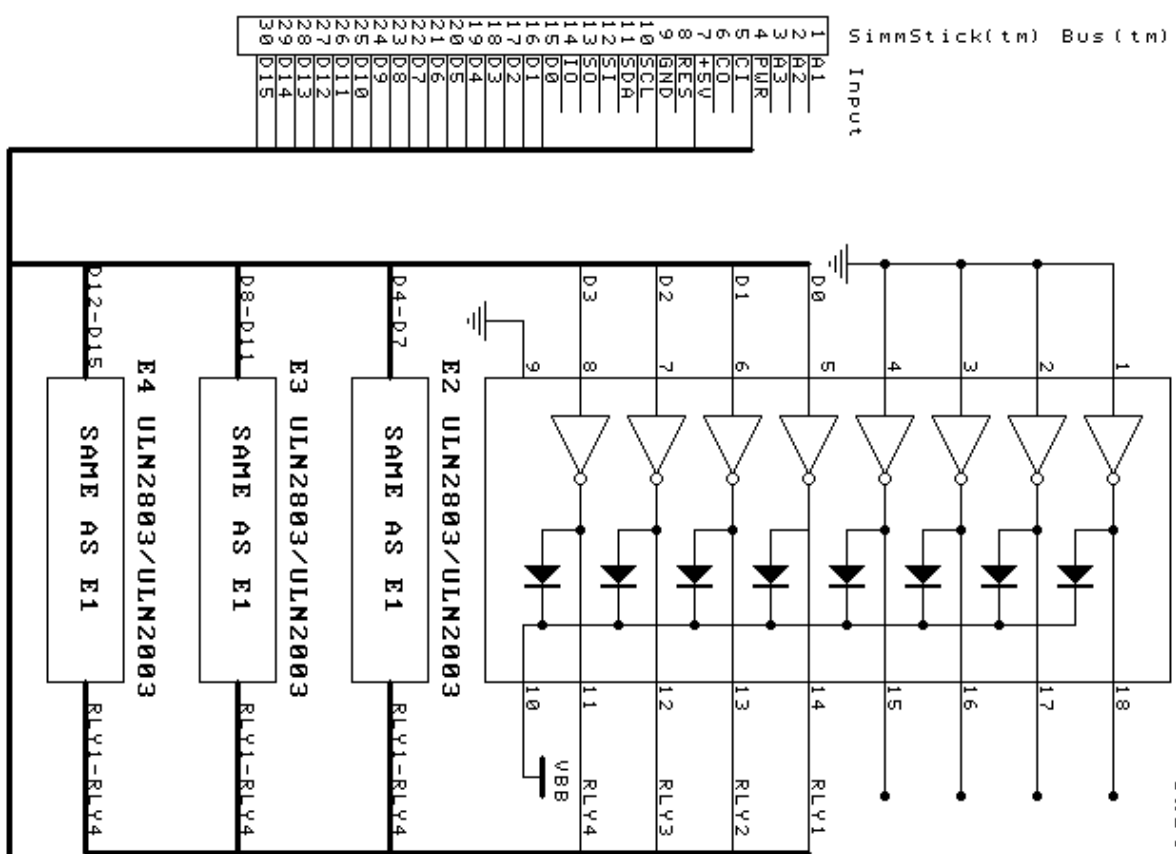


Install only one chip to select 4 bits of Data  
 If using a ULN2003, bottom justify I.C.



E1 selects D0-D3  
 E2 selects D4-D7  
 E3 selects D8-D11  
 E4 selects D12-D15

DonTronics 1997 Copyright

Title		DT205 Relay Board	
Size	Number	Revision	
A4	For SimmStick(tm) Bus	A	
Date:	26-MAY 1997	Sheet of	
File:	DT205A/I	Drawn By: Don MCK	