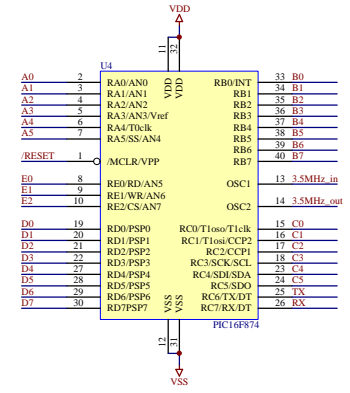
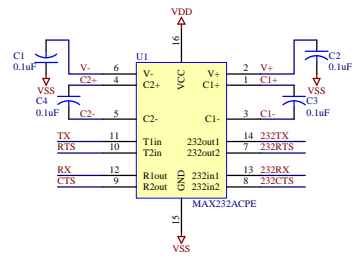


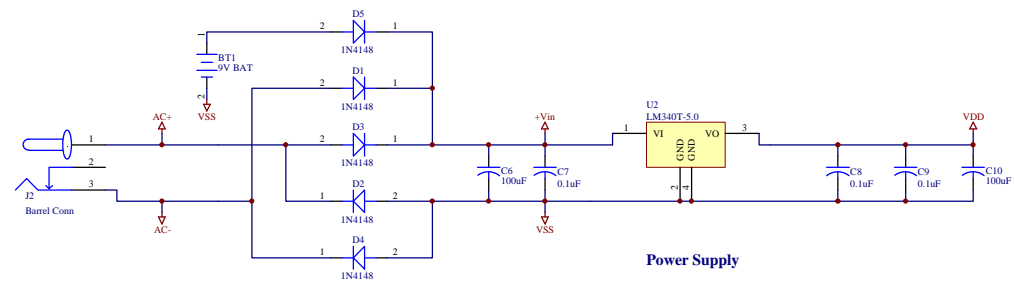
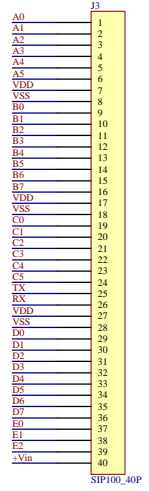
Processor



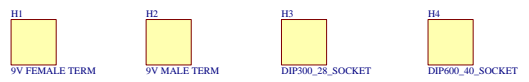
Processor



RS232 Serial Port



Power Supply



Hardware

Rick Farmer 916 E. Ogdan Ave. #312 Milwaukee, WI. 53202		Phone: 414-273-9740 Fax: 414-273-9741 www.execpc.com/~rfarmer	
Title <b>PIC16F87x BootLoader</b>			
Size	Number	Revision	
B		<b>Proto Board</b>	
Date:	25-Sep-1999	Sheet of 1 of 1	
File:	C:\projects\Bootload\bootload1.sch	Drawn By: Rick Farmer	
		10	