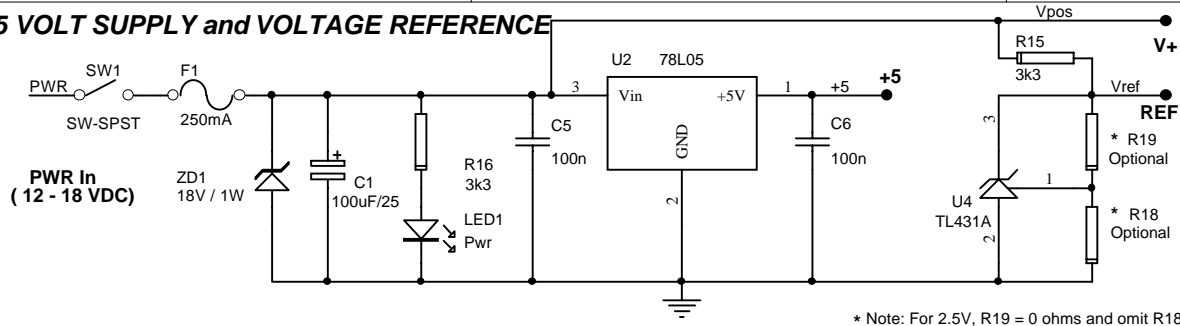
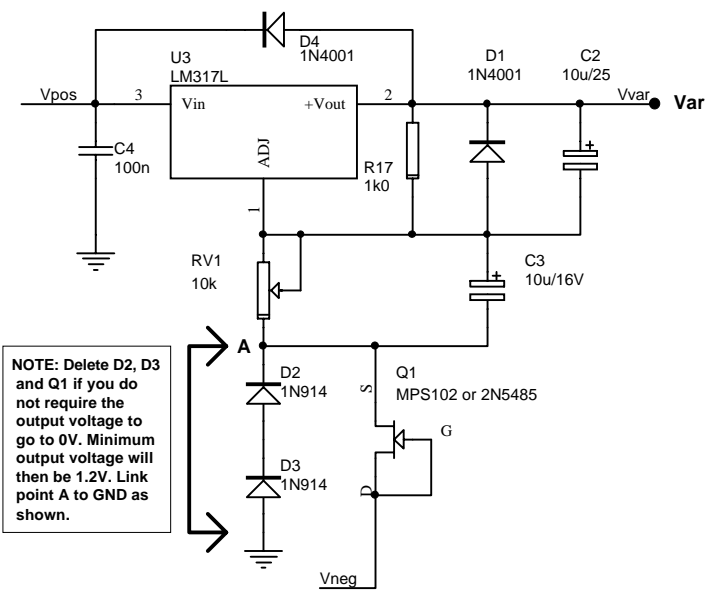


5 VOLT SUPPLY and VOLTAGE REFERENCE

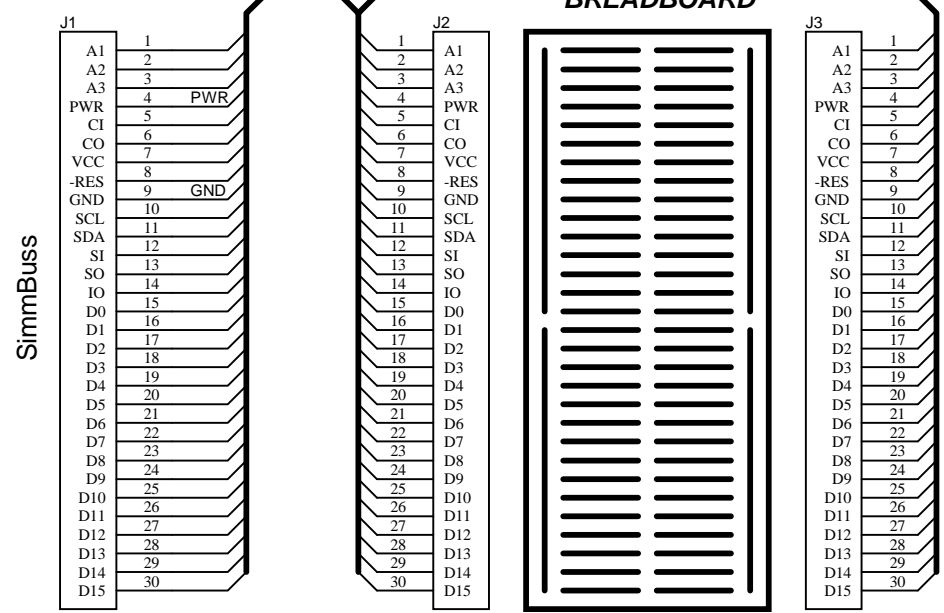


* Note: For 2.5V, R19 = 0 ohms and omit R18

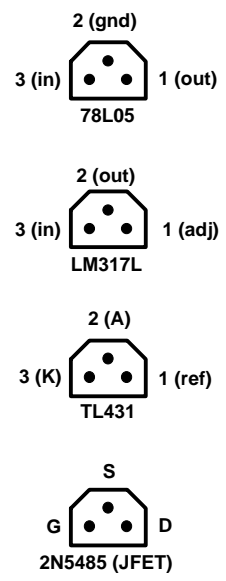
VARIABLE VOLTAGE SUPPLY



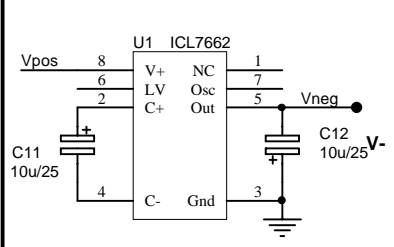
BREADBOARD AREA



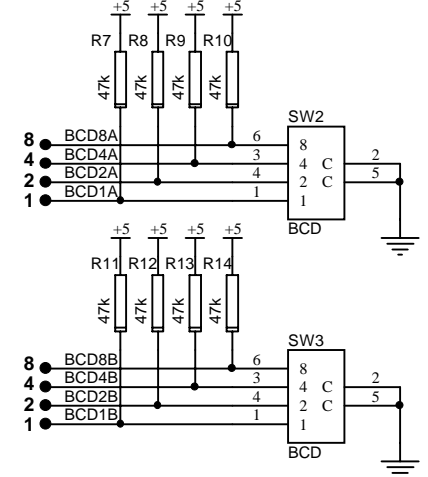
Pinouts (bottom view)



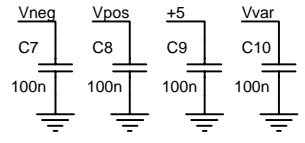
NEGATIVE RAIL SUPPLY



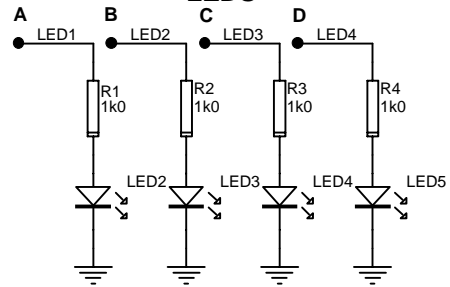
BCD SWITCHES



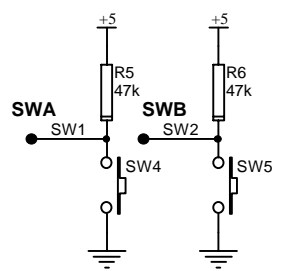
BYPASS CAPS



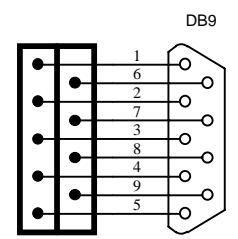
LEDS



Push Button SWITCHES



DB9 CONNECTOR



Title		
SD SimmBuss BreadBoard 02		
Size	Number	Revision
A4	SD_SBBB_02	A
Date:	6-May-2001	Sheet 1 of 1
File:	D:\#data\SBBB\EDA\SD_SBBB02.Sch	Drawn By: W.M.